

# CLEVERTOUCH®

by Boxlight®

boxlight.com

## Clevertouch Pro series

### Google-Powered Learning, Made Accessible

**NEW**

The Clevertouch Pro Series empowers students and teachers with intuitive collaboration, seamless Google Classroom integration, and cutting-edge digital whiteboarding. Designed to inspire creativity, teamwork, and critical thinking, it's the only Google-EDLA interactive display that comes with free professional development—ensuring educators get the most from their technology.

**Superior built-in audio**  
with 2x 25W speakers +  
20W Subwoofer



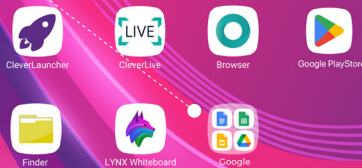
**EDLA Certified**

Access the Google Play Store and Google Workplace, along with the full Microsoft 365 suite, directly from the screen. Use apps such as Google Drive, Docs, Sheets, Slides, Teams, Word and PowerPoint.

**CLEVERTOUCH®**

14:22

Wednesday, 16/01



**Centralized device management**

IT teams can easily oversee and maintain classroom technology.

**ATTENTION! Approved.**

**Reduce energy costs by 20%** while supporting sustainability goals – a win for both your budget and the environment.

Available in a range of sizes  
65" | 75" | 86" | 98"



**High Precision Touch Frame**

Accurate and responsive touch detection.



**Memory Expansion Slot**

SD Card Player for expandable storage up to 640GB.



**Anti-Glare Display**

Reduce reflections and improve the viewing experience in brightly lit rooms or rooms with windows.



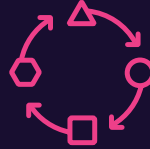
**Integrated NFC Technology**

Log into shared Clevertouch devices to access personalised settings, apps, or files by tapping an NFC card or tag.

# Key Features



Cyber Essentials compliant for optimal security protocols.



Wireless or hardwired connections so that team members and visitors can connect safely using separate networks.



Improve communication with instant messages and alerts using CleverLive digital signage.



Sync with Google Drive, OneDrive and Dropbox so that you can work anywhere at any time.



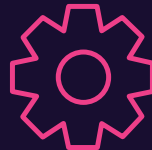
Superior built-in audio with 2x 25W speakers + 20W Subwoofer. 98" features 2x 20W speakers.



The most fluid, lag free writing experience on a touchscreen with true 4K high Precision Technology.



Five year comprehensive warranty, extendable to seven years.



Instant Over-the-Air Updates (OTA) seamlessly delivered to your display.



ATTENTION! Approved-Compatible device for ATTENTION! Boxlight's customizable smart ecosystem for campus and safety communication.

## Includes Google-Certified Professional Development



Level 1 Certified Educator



Level 2 Certified Educator



EOS Education (Training by Boxlight)

Every Pro Series panel includes free access to our Tier 1 Google-Certified professional development program, provided by our award-winning EOS Education team. This exclusive program features accelerated prep courses for Google Educator Level 1 and Level 2, plus an exam voucher—empowering educators to enhance their skills at no cost.

# Clevertouch Pro Series Specifications

## Display

<b>Diagonal Size</b>	65" 4K   75" 4K   86" 4K   98" 4K
<b>Screen Type</b>	65": VA - Direct LED Backlight 75": VA - Direct LED Backlight 86": IPS - Direct LED Backlight 98": ADS LED Backlight
<b>Aspect Ratio</b>	16:9
<b>Display Colours</b>	1.07 Billion (10 bit)
<b>Resolution</b>	4K UHD (3840x2160 @60Hz)
<b>Response Time</b>	6.5ms
<b>Refresh Rate</b>	60Hz
<b>LCD Viewing Angle</b>	178°
<b>Brightness</b>	450 nits
<b>Contrast Ratio</b>	65" 5000:1   75" 5500:1   86" 1200:1   98" 3000:1
<b>Dynamic Contrast Ratio</b>	65" 6000:1   75" 6000:1   86" 6000:1   98" 3000:1
<b>DC Dimming (for Flicker Free)</b>	Yes
<b>Glass Hardness</b>	Tempered Glass - Mohs Level 7
<b>Glass Thickness</b>	4mm
<b>Glass Type</b>	Low Parallax 0mm Air Gap - Heat tempered - Anti Glare & Anti smudge for durability - Super Glide Surface
<b>Main Board</b>	RK3576
<b>Life of Screen</b>	50,000 hours minimum
<b>NTSC</b>	72%
<b>Backlight Life</b>	50,000 hours (min)

## Interactivity

<b>Writing Technology</b>	High Precision IR Technology
<b>Continuous Touch Points</b>	50
<b>Touch Resolution</b>	32768x32768px
<b>Response Time</b>	≤2.5ms
<b>Touch Accuracy</b>	±1mm
<b>Minimum Object Size</b>	2mm
<b>Touch Tool</b>	Finger, passive pen, opaque objects
<b>Simultaneous Writing</b>	Yes
<b>Ink In Tools</b>	Yes - LYNX
<b>Pens Included</b>	2
<b>Pen Type</b>	Dual Recognition Stylus
<b>Pen Holder</b>	Integrated magnetic pen holders
<b>Pen Tip Diameter</b>	3mm/7mm
<b>Pen &amp; Touch Differentiation</b>	Yes
<b>Pen Identities</b>	2
<b>Palm Rejection</b>	Yes
<b>Annotation Over Any Source</b>	Yes
<b>Classroom Essential Apps</b>	Includes Whiteboard, Annotate, Timer, Media Players, Browser, PDF Reader, Screen Record, Spinner, Voting, Maths Tools
<b>Compatibility*</b>	Windows 10 & 11, Linux, Mac, Android, Chrome
<b>Tracking Rate</b>	≥1m/s
<b>Scan Rate</b>	400Hz
<b>Gestures &amp; Edge Swipes</b>	Windows Supported, OSX With additional Driver

## Connectivity

<b>OPS Slot</b>	1 - Intel Spec 80Pin
<b>HDMI In</b>	3 (2.1)
<b>HDMI OUT (Clone content from one display to another)</b>	1
<b>USB-A 2.0</b>	1 (1 USB for system upgrade)
<b>USB Touch (type B)</b>	2 (3.2)
<b>USB A 3.2 (faster data transfer)</b>	2 x Front USB Type A 3.2 with faster data transfer 2 x Side USB Type A 3.2 with faster data transfer
<b>USB C (Video, Audio &amp; Touch)</b>	1 x Front USB Type C with video, audio, touch, network & 65W charging 1 x Side USB Type C with video, audio, touch & network.
<b>LAN In (RJ45)</b>	1
<b>LAN Out (RJ45)</b>	1
<b>RS-232</b>	1
<b>Wake-on-Lan</b>	Yes
<b>Wireless</b>	Yes
<b>Clevertouch WiFi Module</b>	Yes
<b>Bluetooth</b>	Yes 5.2
<b>DisplayPort</b>	1
<b>VGA In</b>	1
<b>Audio In</b>	1
<b>Optical Out</b>	1
<b>Headphone</b>	1 (3.5mm)
<b>Total touch out ports</b>	2 (3.2)
<b>NFC Reader / Writer</b>	Yes - integrated
<b>Camera</b>	Optional Extra
<b>Proximity Sensor</b>	No
<b>Array Mic</b>	8 Array Microphone
<b>Sound pickup Angle</b>	180°
<b>Sound pickup distance</b>	8m
<b>Frequency Domain</b>	32kHz
<b>WiFi</b>	IEEE 802.11a/b/g/n/ac/ax with 2 x 2 MIMO (hotspot only) (both 2.4 and 5 GHz bands)
<b>WiFi Generation</b>	WiFi 6E
<b>WiFi Speed</b>	Capable of speeds up to 1Gbps

## Audio

<b>Dual Front Facing, Bass Enhanced Speakers</b>	2x 25W speakers + 20W Subwoofer (98": 2 x 20w no subwoofer)
<b>Amplifier</b>	95W
<b>Audio Out</b>	Yes
<b>SPDIF / Fibre</b>	Yes
<b>Sound Channel</b>	2
<b>Line Array Microphone</b>	Yes

## Power

<b>Power Requirements</b>	65": 100-240V~50/60Hz 5.0A 75": 100-240V~50/60Hz 5.0A 86": 100-240V~50/60Hz 5.0A 98": 100-240V~ 50/60Hz 5.0A
<b>Power Consumption (Normal)</b>	65": 135W   75": 205W   86": 240W   98": 320W
<b>Power Consumption (Standby)</b>	< 0.5W
<b>Ultra Quiet Fanless Design</b>	Yes

# Clevertouch Pro Series Specifications

## Computing

Operating System	Android 14
System Version	LUX 14
Google Certification	EDLA Certified (Enterprise Device Licence Agreement)
Access to Google Play Store Apps, Microsoft Apps & Google Cloud Services	Yes (Certified)
Access to Video Conferencing Apps (MS Teams, Google Meet, Zoom etc)	Yes
RAM	16GB (98" 8GB)
Internal Storage	128GB
Expandable Storage	Yes
Total Storage	640GB (Expandable)
CPU	Quad Core A72 + Quad Core A53
GPU	Mali G52 MC3
Android Resolution	4K
System Architecture	64-bit
Integrated LUX UI	Yes

## Physical Spec

Panel Dimensions	65": 1488x908x86mm 75": 1709.4x1031x85.5mm 86": 1957x1171x97mm 98": 2245x1326x90mm
Packed Dimensions	65": 35.05kg   75": 46.75kg   86": 55.00kg   98": 2406x280x1474mm
Net Weight	65": 35.05kg   75": 46.75kg 86": 55.00kg   98": 99.10kg
Packed Weight	65": 41.85kg   75": 56.55kg   86": 70.15kg   98": 120.80kg
VESA Mount Point	65": 600x400mm   75": 800x400mm   86": 800x600mm   98": 800x600mm
Screws for VESA	M8 x 25mm

## Operating & Storage Environment

Operating Temperature	0° to 40°
Storage Temperature	-20° to 60°
Operating Humidity	10% to 90% RH
Storage Humidity	10% to 90% RH
Altitude	Below 5000 metres

## Inside your Clevertouch Box

What's In The Box	(1) Clevertouch Pro Series (65" 4K   75" 4K   86" 4K   98" 4K) (1) 3M Length HDMI Cable (1) 3M Length USB cable (A-B) (1) 1.8M USBC Cable (1) 3M Regional Power Cable (1) Remote Control (2) Batteries for Remote Control (2) Dual Recognition Stylus (1) User Guide (1) Quick Install Guide (1) Clevertouch WiFi Module (1) Screen Wipe
-------------------	---

## Software & Features

BYOM	Yes
LYNX™ App With Online Lesson Planning	Yes
Handwriting Recognition	Yes - LYNX Pro
Unlimited Multi-Floating Resizable Windows	Yes
Split Screen Support	Yes
Ecosystem of Extensive Apps with Secure and Fast Download	Yes
OpenSDK Support	Yes
Intelligent O&M	Yes
H.264 + H.265	Yes
HD Hardware Encoding and Decoding	Yes
CleverLive™ Embedded Digital Signage	Yes
Clevershare™ Mirroring Any Device To The Board	Free for the life of the screen (touch back)
Miracast (WiFi Direct)	Yes
AirPlay	Yes
Chromecast	Yes
Integrated Personalised	Yes
Accounts Profiles	Yes
Cloud Account Access	OneDrive, Google Drive, LYNX Cloud
CleverLive Rooms™ Embedded Room Booking	Yes
Customizable Welcome Page with option to integrate logo, clocks apps and more (CleverLauncher™)	Yes
LynxCloud™	Yes
Whiteboard Annotation	Yes
Scan QR Code For Saving Work	Yes
Alerts and Announcements	Yes
Over-the-Air Updates	Yes
Remote Management Of Touchscreens (MDM)	Yes - One year license

## Compliance & Certification

Regulatory Certification	CE, FCC, UL, Energy Star & EEC
--------------------------	--------------------------------

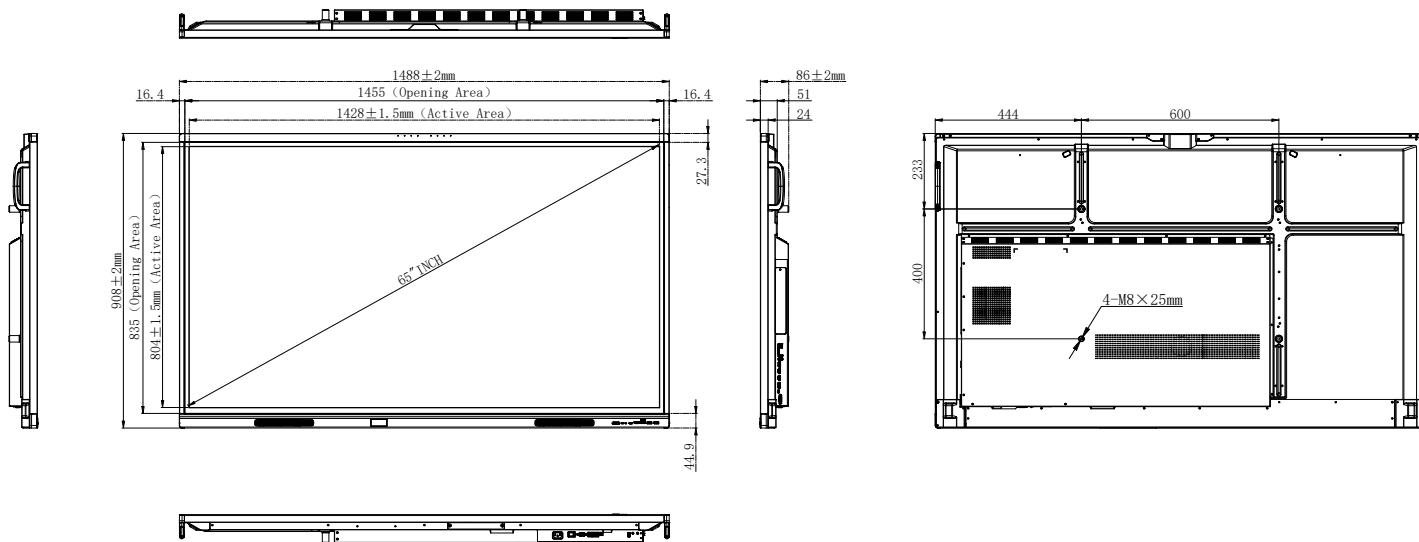


## Warranty

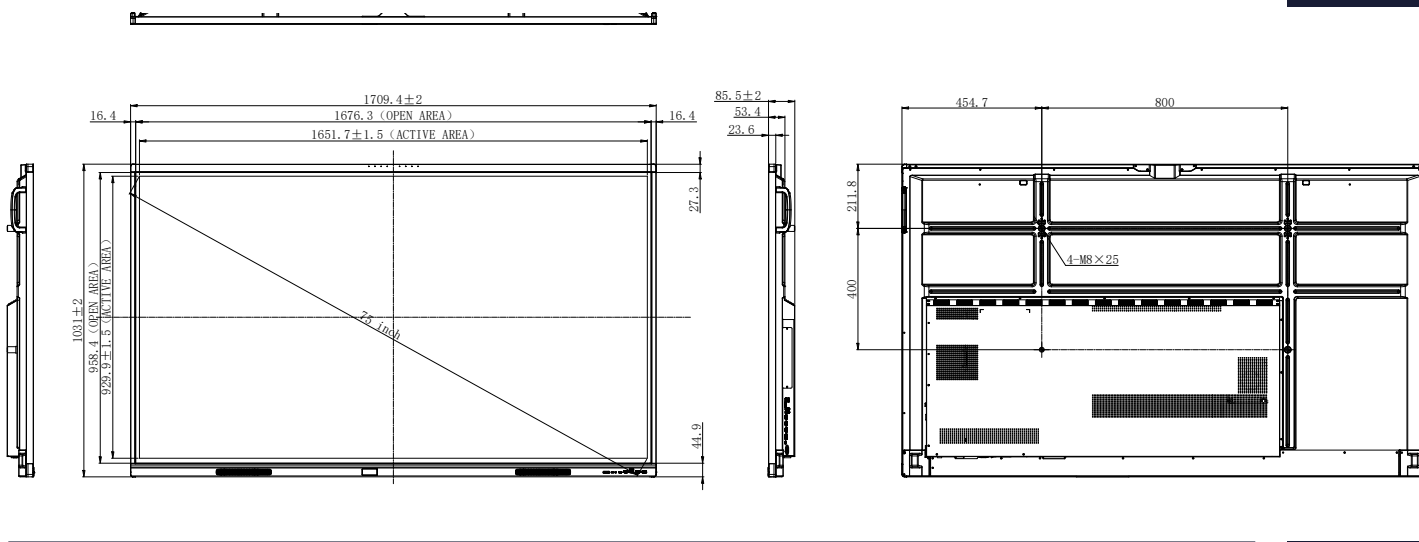
Warranty term and upgrade options vary by region. Contact your local reseller or distributor for information and visit [clevertouch.com/about/warranty](https://clevertouch.com/about/warranty)

© 2024 Clevertouch. All rights reserved. Sahara Presentations Systems PLC. is part of the Boxlight group of companies, and the owner of trademarks in several global jurisdictions including but not limited to Clevertouch, the Clevertouch logo, UX Pro, IMPACT™, IMPACT Plus™, Impact MAX, CleverLive, LUX, Lynx, CleverMessage, Cleverstore and Clevershare. All third-party trademarks (including logos and icons) referenced by Clevertouch remain the property of their respective owners. Unless specifically identified as such, Clevertouch's use of third-party trademarks does not indicate any relationship, sponsorship, or endorsement between Clevertouch and the owners of these trademarks. Applicable Terms and Conditions for warranty and support available at [clevertouch.com/about/warranty](https://clevertouch.com/about/warranty). All weights and dimensions are approximate. Product specifications are subject to change without notice. Clevertouch.com.

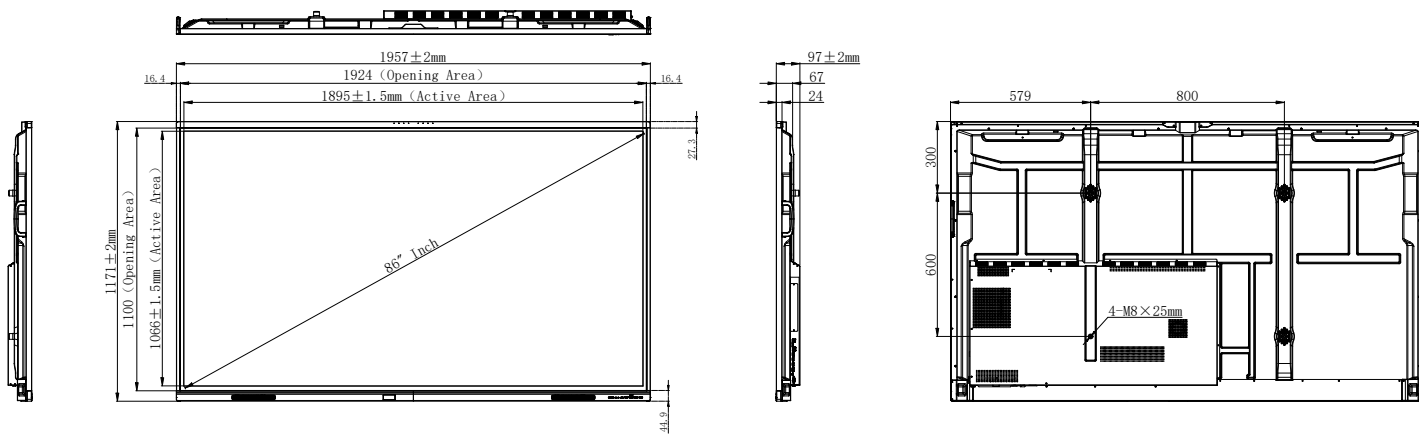
65"

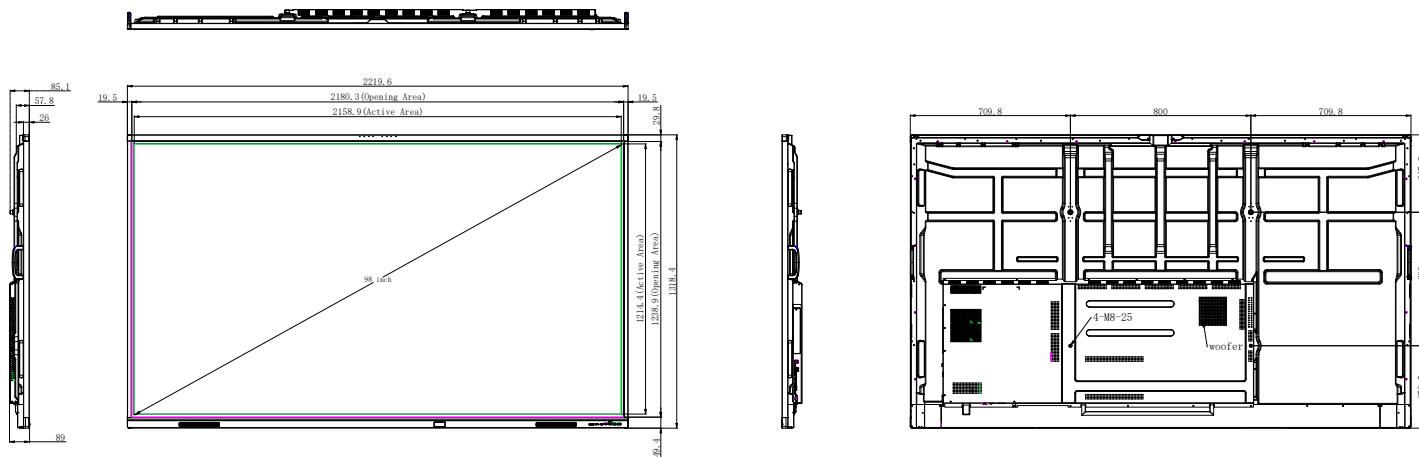


75"



86"





### Statement

Size and weight vary by configuration and manufacturing process, please refer to the actual product. The product images are for illustrative purposes only and may slightly differ in appearance, colour, size, etc. from the actual product. The description, illustrations, etc. in this document may subject to change in accordance with the latest product specification and performance. Should the above-mentioned change in the document become necessary, the document may be updated without written notice.